

GROVER PRIMING PISTON PUMPS

featuring . . .

Four Mounting Styles:

Floor Mounted Drum Mounted
Portable Tank/Elevator Mounted

Three Pressure Selections:

11:1 Ratio 14:1 Ratio
25:1 Ratio

Grover's Wet-Cup Design

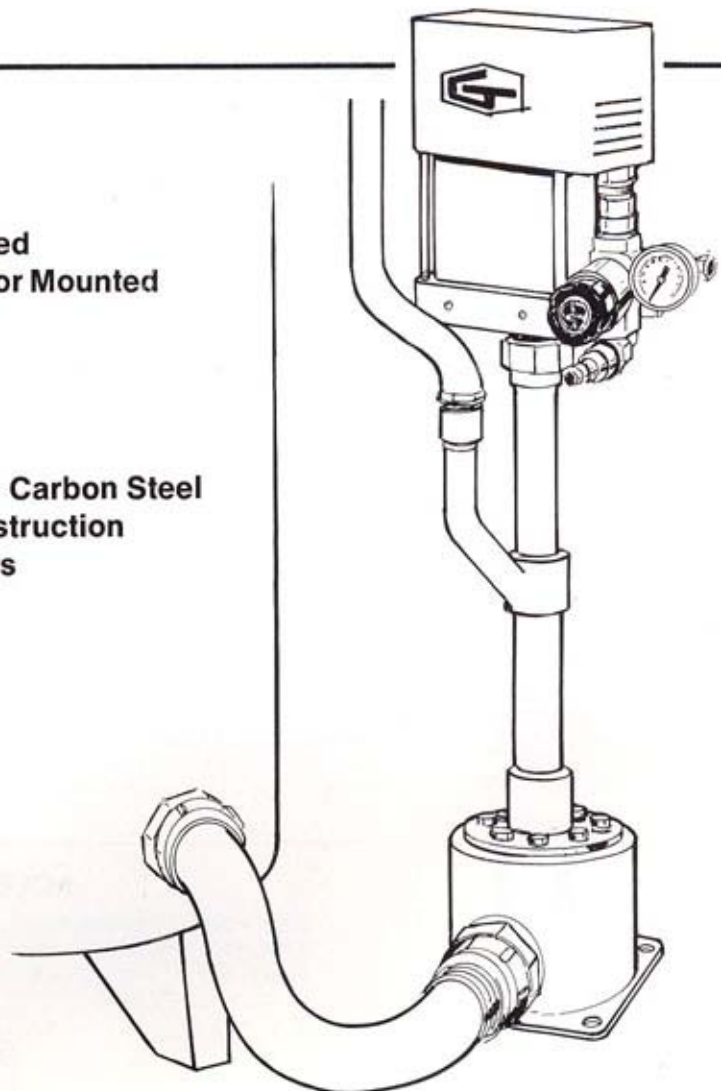
Stainless Steel Cylinders/Balance Carbon Steel

Teflon Piston Cups/Cone Nut Construction

"Royal" Series Air Motors/Mufflers

TRANSFER AND SUPPLY . . .

Heavy Inks
Jelly Gum
Sealants
Adhesives
Silicones
Epoxies
Viscous Coatings
Lubricants



BULK TRANSFER PUMPING SYSTEMS FOR . . .

Bottle Labeling • Printing Ink Fountains • Packaging Machines • Case and Carton
Sealing • Glued Lap Machines • Transfer and Supply of Viscous Fluid • Caulking Compounds



HEAVY TRANSFER — EXTRUSION PRIMING PISTON PUMPS...

Floor Mounted Models Portable Models

GROVER PRIMING PISTON PUMPS 11:1 AND 25:1 RATIO MODELS AVAILABLE

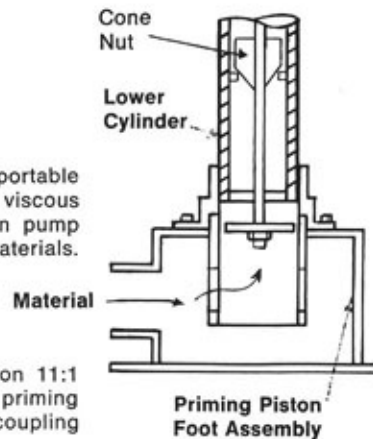
- FLOOR MOUNTED
- PORTABLE

Grover priming piston pumps are designed for floor mounting or portable cart mounting and are used in transferring or applying highly viscous inks, adhesives, sealants or similar type materials. Priming piston pump foot assembly and chamber assures pump priming with difficult materials.

FLOOR MOUNTED MODELS (STUBBY)

GROVER 11:1 RATIO MODEL 8227 consists of one priming piston 11:1 ratio pump, one 368P air regulator and gauge kit, one 8231 priming piston pump foot assembly, and one 3" instant lock siphon hose coupling assembly.

GROVER 25:1 RATIO MODEL 8228 consists of one priming piston 25:1 ratio pump, one 368P air regulator and gauge kit, one 8231 priming piston pump foot assembly, and one 3" instant lock siphon hose coupling assembly.



8228

PRIMING PISTON PUMP SPECIFICATIONS

PRIMING PISTON PUMP MODEL ①	RATIO	AIR MOTOR DIAMETER	STEM DIA.	STROKE	OVERALL LENGTH	AIR INLET PIPE SIZE	MATERIAL OUTLET PIPE SIZE	CYCLES PER GALLON	AIR REQUIRED (CFM) FOR EACH GAL. DEL.			MAXIMUM MATERIAL DELIVERED (GPM) ②
									60 PSI	80 PSI	100 PSI	
8227/8229	11:1	5"	2"	3 1/4"	47"	1/2" F	1" F	20	8	9	11	3
8228/8230	25:1	7"	2"	3 1/4"	47"	1/2" F	1" F	20	15	19	23	3

① All models have stainless steel cylinders. Other stem parts are carbon steel. Cups are Teflon. **Wet-cup design.**

② Delivery of material may be less, depending on viscosity, distance material is pumped, and hose or pipe size.

PORTABLE MODELS (STUBBY)

GROVER 11:1 RATIO MODEL 8229 consists of one priming piston 11:1 ratio pump, one 368P air regulator and gauge kit, one 8231 priming piston pump foot assembly, one 3" instant lock siphon hose coupling assembly and one 8232 portable cart.

GROVER 25:1 RATIO MODEL 8230 consists of one priming piston 25:1 ratio pump, one 368P air regulator and gauge kit, one 8231 priming piston pump foot assembly, one 3" instant lock siphon hose coupling assembly and one 8232 portable cart.



8230

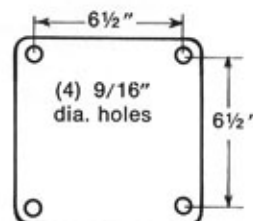


8231

ACCESSORIES

8231 FOOT ASSEMBLY included on 8227, 8228, 8229 and 8230 models. 3" NPT (m) intake. For 3" instant lock coupling, order (1) 6821 and (1) 6822.

8232 PORTABLE CART included on model 8229 and 8230.

Mounting Holes for
8231 BASE

8232

HEAVY TRANSFER — EXTRUSION PRIMING PISTON PUMPS

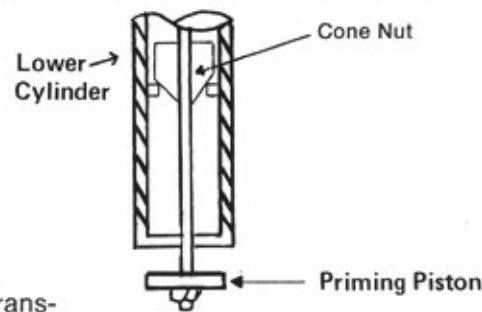
Drum Mounted Models Tank/Elevator Mounted Models



GROVER PRIMING PISTON PUMPS

11:1 AND 25:1 RATIO MODELS AVAILABLE
— DRUM MOUNTED
— TANK/ELEVATOR MOUNTED (Also 14:1)

Grover priming piston pumps are designed for use in transferring or applying highly viscous seam sealers, adhesives and caulking materials. Priming piston pump intake assembly assures pump priming with heavy materials. Pumps may be used with accessory powered elevators and follower plates. Also available are necessary high pressure hose and dispense guns for applying beads or ribbons of material. See page E4 for complete packages and accessories (both 5 and 55-gallon models). Pumps include Grover's exclusive wet-cup design.



DRUM MOUNTED MODELS (55-GALLON)

GROVER 11:1 RATIO MODEL 5913A shipped as pump only. "Royal" 5" air motor, 2" stem with stainless steel cylinders. Other wetted parts carbon steel with Teflon cups.

GROVER 25:1 RATIO MODEL 5914A shipped as pump only. "Royal" 7" air motor, 2" stem with stainless steel cylinders. Other wetted parts carbon steel with Teflon cups.

TANK/ELEVATOR MODELS (STUBBY)

GROVER 11:1 RATIO MODEL 5907A shipped as pump only. "Royal" 5" air motor, 2" stem with stainless steel cylinders. Other wetted parts carbon steel with Teflon cups.

GROVER 25:1 RATIO MODEL 5912A shipped as pump only. "Royal" 7" air motor, 2" stem with stainless steel cylinders. Other wetted parts carbon steel with Teflon cups.

GROVER 14:1 RATIO MODEL 5983P shipped as pump only. "Royal" 8" air motor, 3" stem with stainless steel cylinders. Other wetted parts carbon steel with Teflon cups.

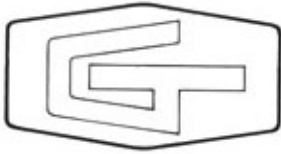


5912A

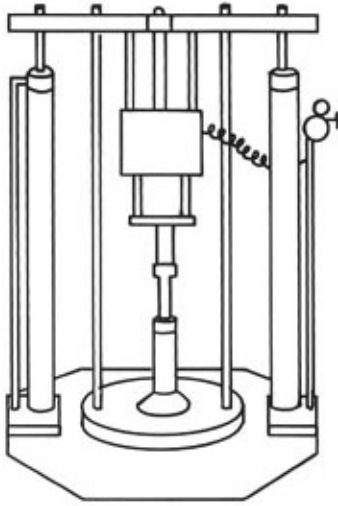
PRIMING PISTON PUMP SELECTION

PRIMING PISTON PUMP MODEL	RATIO	AIR MOTOR DIAMETER	STEM DIA.	STROKE	OVERALL LENGTH	AIR INLET PIPE SIZE	MATERIAL OUTLET PIPE SIZE	OPTIONAL AIR REGULATOR AND GAUGE	TYPE FOOT ASSEMBLY MOUNTING	CYCLE PER GALLON	AIR REQUIRED (CFM) FOR EACH GAL. DEL.			MAXIMUM MATERIAL DELIVERED (GPM) ①
											60 PSI	80 PSI	100 PSI	
5907A	11:1	5"	2"	3½"	47½"	½"M	1"F	368P	TANK — OR FITS FOLLOWER PLATES	20	8	9	11	3
5913A	11:1	5"	2"	3½"	58"	½"M	1"F	368P	DRUM — FITS 55-GALLON DRUMS	20	8	9	11	3
5912A	25:1	7"	2"	3½"	47½"	½"M	1"F	368P	TANK — OR FITS FOLLOWER PLATES	20	15	19	23	3
5914A	25:1	7"	2"	3½"	58"	½"M	1"F	368P	DRUM — FITS 55-GALLON DRUMS	20	15	19	23	3
5983P	14:1	8"	3"	3½"	60"	½"M	1½"F	368P	TANK — OR FITS FOLLOWER PLATES	10	10	13	16	6

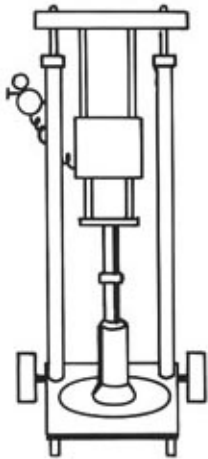
① Delivery of material may be less, depending on viscosity, distance material is pumped, and hose or pipe size.



HEAVY TRANSFER — EXTRUSION PUMP PACKAGES AND ACCESSORIES...



8096A



8093A

55-GALLON DRUM ELEVATOR MODELS

GROVER MODEL 8095A includes one 5907A 11:1 ratio priming piston pump, stainless steel cylinders with Teflon cups, one 368P air regulator and gauge assembly, one 202D-5 55-gallon air powered elevator with 5" cylinders and one 9610A single neoprene wiper follower plate assembly. Material hose and valve (gun) not included.

GROVER MODEL 8096A includes one 5912A 25:1 ratio priming piston pump, stainless steel cylinders with Teflon cups, one 368P air regulator and gauge assembly, one 202D-5 55-gallon air powered elevator with 5" cylinders and one 9610A single neoprene wiper follower plate assembly. Material hose and valve (gun) not included.

GROVER MODEL 8086A includes one 5983P 14:1 ratio priming piston pump, stainless steel cylinders with Teflon cups, one 368P air regulator and gauge assembly, one 202D-5 55-gallon air powered elevator with 5" cylinders and one 9610A single neoprene wiper follower plate assembly. Material hose and valve (gun) not included.

5-GALLON PAIL ELEVATOR MODELS

GROVER MODEL 8092A includes one R50-B23 11:1 ratio pump, carbon steel with Teflon cups, one 368P air regulator and gauge assembly, one 202DS-2 5-gallon air powered elevator with 2" cylinders and one single wiper follower plate assembly (neoprene) 4310AN. Material hose and valve (gun) not included.

GROVER MODEL 8093A includes one 5907A 11:1 ratio priming piston pump, stainless steel cylinders with Teflon cups, one 368P air regulator and gauge assembly, one 202DS-2 5-gallon air powered elevator with 2" cylinders and one single wiper follower plate assembly (neoprene) 8091. Material hose and valve (gun) not included.

GROVER MODEL 8094A includes one 5912A 25:1 ratio priming piston pump, stainless steel cylinders with Teflon cups, one 368P air regulator and gauge assembly, one 202DS-2 5-gallon air powered elevator with 2" cylinders and one single wiper follower plate assembly (neoprene) 8091. Material hose and valve (gun) not included.

ACCESSORIES

202DS-2 5-gallon air powered elevator. Unit includes 2" cylinders and air controls. Pump and follower plate not included.

202D-2 55-gallon air powered elevator. Unit includes 2" cylinders and air controls. For use with lightweight pumps only. Pump and follower plate not included.

202D-3 55-gallon air powered elevator. Unit includes 3" cylinders and air controls. For use with intermediate weight pumps. Pump and follower plate not included.

202D-5 55-gallon air powered elevator. Unit includes 5" cylinders and air controls. For use in most applications — both high pressure and volume. Pump and follower plate not included.

8097 Extrusion flow gun, 3/8" NPT(F), 3000 PSI working pressure.

9610A 55-gallon follower plate, one neoprene wiper.

8091 5-gallon follower plate, one neoprene wiper. Use with priming piston pumps.

4310AL 5-gallon follower plate, one leather wiper.

4310AN 5-gallon follower plate, one neoprene wiper.

NOTE:

See Section 7 accessories for hose and air regulators with gauges.